

# LC Bakery Equipment Services Ltd.

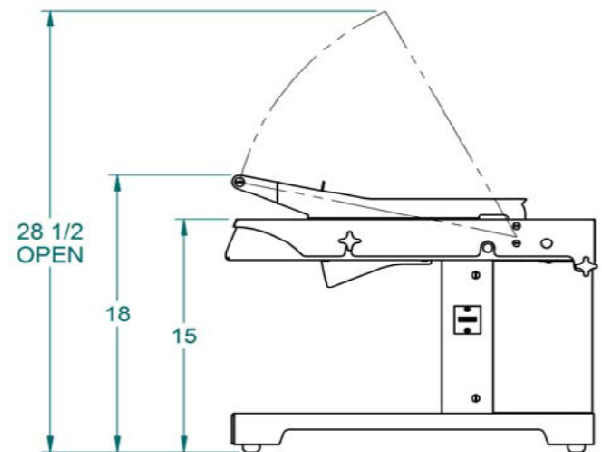
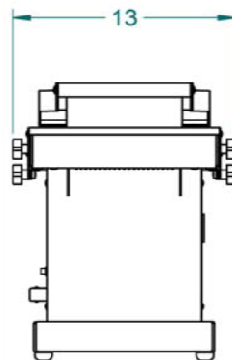
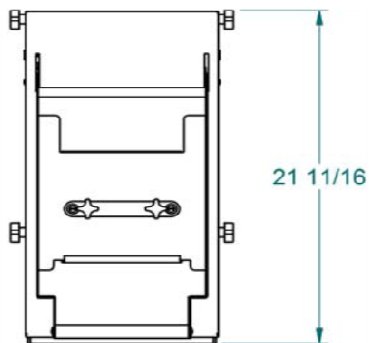
## LC Oliver Mini Chip Slicer

### Mini Chip Slicer Product Capacities:

Length - 6 inches

Width - 6 inches

Height - 2 inches



### LC Oliver Mini Chip Slicer Standard Features:

#### Model: LC0738

- Compact Counter top Design
- Reprocess bagels and baguettes into snack chips
- Very Easy to Operate - On/Off Operation
- Simplified process keeps labor cost low
- Simple three step operation - Raise, Place Product and Lower
- Cycle counter-visual reminder for Blade Replacement
- Blade frame safety guarding for Safe Use
- Tool free dis-assembly for easy cleaning
- Dimensions: 13" wide x 28.5" Height x 22" Depth
- Slice Thickness Available in 1/4" or 1/2"
- Voltage 120 VAC, 60 Hz, 2 Amps
- Net Weight - 80 lbs

**Note:** LC Bakery Equipment Service Ltd. is constantly improving products and reserves the right to make changes at anytime without notice!

**LC Bakery Equipment Service Ltd**  
**25 Easton Road, Brantford, ON, Canada N3P 1J4,**  
**Tel: (519) 752-8285, Fax: (519) 752-4238**